

Date _____
Company _____
Project _____



Explanation

Procolor®DC 10RGBW-DW Series is a powerful and outdoor rated floodlight with high lumen output and excellent color consistency. Procolor® 10RGBW floodlights are an excellent solution for accent lighting, spot lighting, wall washing, façade lighting applications and widely used in illuminating historical buildings, monuments, smaller structures in parks and other areas.

Procolor®DC 10 Series is produced in 2 types; Procolor®DC 10RGBW consists of 1 High Power RGBW LEDs (4 in 1 Chip), Procolor®DC 10DW Series consists of 2 2700K, 2 6500K LEDs and their arrays are 4 in 1 Chip. Available in 3 different beam angles. Procolor®DC 10RGBW-DW Series has a sturdy die-cast aluminium body. It works at 48VDC to ensure connections over long distances. Procolor®DC 10RGBW-DW Series provides easy setup and programming with standard DMX512 and RDM protocols without special or complex communication protocols.

Procolor®DC 10RGBW-DW Series is fed from the Power Pack Series as all Hera products which operate in a 48V DC voltage range. The connection is made through 2 + 4 pin connector.

- Procolor®DC 10RGBW-DW provide compatible communication with other fixtures using standard DMX512 and RDM protocols without requiring any other special communication protocol or production ID. They are remotely addressable in group via RDM protocol. This feature allows for easy pixel mapping and addressing after all installations have been completed.
- Procolor®DC 10RGBW-DW floodlight enables flexible application using very long starter and jumper cables, since they operate in a 48V DC voltage range.
- Through RDM monitoring and software, it is possible to follow and determine: whether the fixtures are working properly, voltage input and output warnings, serial number and display of regional temperature values and DMX address. The user is informed by e-mail according to incoming data, thus automatic interventions are possible based on received data.
- Procolor®DC 10RGBW-DW Series work through Madrix® software and hardware in coordination. Pixel mapping can be made easily by selecting fixtures in Madrix® library.
- Available in 3 different beam angles as 10° / 25° / 35°
- The mounting apparatus, which can move on the fixture, is oriented and secured with a stable gear system at 6° angles, thus maintaining its position with a sturdy lock.
- IP67 class Procolor®DC 10RGBW-DW floodlights, are designed to meet the challenging requirements of exterior applications with their robust and durable structure. It is resistant to shock, vibration and other harsh conditions due to die-cast aluminium body and tempered glass cover.
- Input and output can be delivered through T cable with a connector, no need to use an extra junction box. Easy connection through push-lock 2+4 pin connector.
- Procolor®DC 10RGBW-DW Series is produced in RAL9005-black color as standard, and is also available in different colors in RAL code upon request.

	<u>RGBW</u>	<u>DW</u>
Output		
Light Source:	1 High Power 4 in 1 Chip RGBW LEDs per foot	4 High Power LEDs (2x 2700K, 2x 6500K)t
Lumen Maintenance:	60.000 > hours L70 @ 50° C (full output)	
Color Range:	16.7 Million additive RGB colors, white CCT 6500K	Color temperatures ranging from 2700 K to 6500 K
Ra(CRI):	RGBW Full on 81CRI	DW Full on 74CRI
Beam Angle:	10° / 25° / 35°	10° / 25° / 35°
Luminous Flux:	287 lm	365 lm
Luminous Intensity:	1926 cd	2646 cd
Efficacy (lm/W):	33,1 lm/W	42,2 lm/W

***The values above are measured data in RGBW-DW "Full ON" mode and using a 10° lens. Please see IES/LTD files and photometric measurements for different lens beam angles.*

The dynamic power-boost feature enables the light to display the maximum brightness at all times and intensify non-white colors.

Control & Programming

Color Resolution:	4 x 14-bit (Gamma correction)	2 x 14-bit (Gamma correction)
Addressing:	RDM (Group of Remote Addressable Systems)	
Monitoring:	Voltage Monitoring, Temperature Monitoring, Status Monitoring, Power Cycle Monitoring, Lumen-Maintenance Life Monitoring	
PWM Frequency:	1,600Hz flicker free dimming to 0.1%	
DMX Compliance:	USITT DMX512-1990	
RDM Compliance:	ANSI/ESTA E1.20-2010	

Electrical

Operating Voltage:	48VDC
Power Consumption:	8,7W Maximum at full output, steady state
Maximum in Chain:	Max 32 pieces
Connections:	Push Lock Type 2+4 Pin Waterproof Connector

Physical

Housing:	Die-Cast Aluminium
Front Material:	Clear Tempered Glass
Installation Brackets:	Die-Cast Aluminium 6° Multi-positional, locking hinges
Hardware:	Stainless Steel
Gasket:	Silicon
Surface Finish:	RAL 9005 Electrostatically polyester powder coat (standard) or Custom Any RAL (optional)

Measurements:

Weight:	0,800Kg (1,76lb)	0,800Kg (1,76lb)
Dimensions:	141,5x89x95mm	141,5x89x95mm
(H x W x D)	5,6x3,5x3,7in	5,6x3,5x3,7in

Environmental

Storage Temperature:	-40°C - 85°C - (-40°F - 185°F)
Start-up Temperature:	-25°C - 50°C - (-13°F - 122°F)
Operating Temperature:	-40°C - 50°C - (-40°F - 122°F)
Thermal Protection:	Automatic over temperature protection
Cooling:	Cooling by free air convection
Vibration Resistance:	Complies with ANSI C136.31-2010
Corrosion Resistance:	Complies with ASTM B117 standard
Ingress Protection Rating:	IP67
Impact Resistance Rating:	IK09
Humidity (max.):	0 to 98%, non-condensing

Testing:

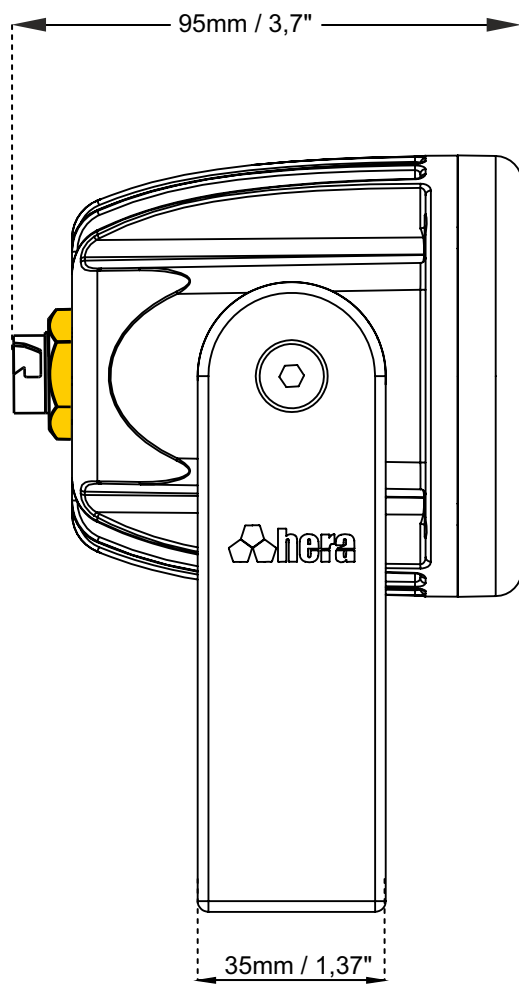
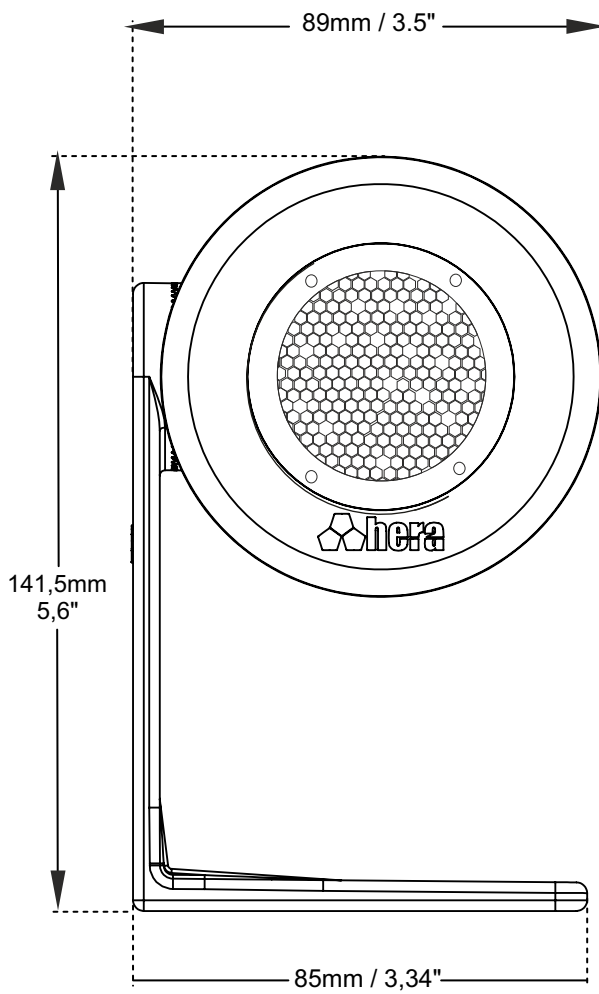
All Hera LED products are assessed by a stringent 100 hour test, above and beyond what they would come across in the real world. This can be seen from our advanced RDM Monitoring System as well, leaving no place for doubt. This strict testing, builds trust, when your reputation is on the line. It is our company's culture and heritage, also our way of securing our worthwhile Customers.

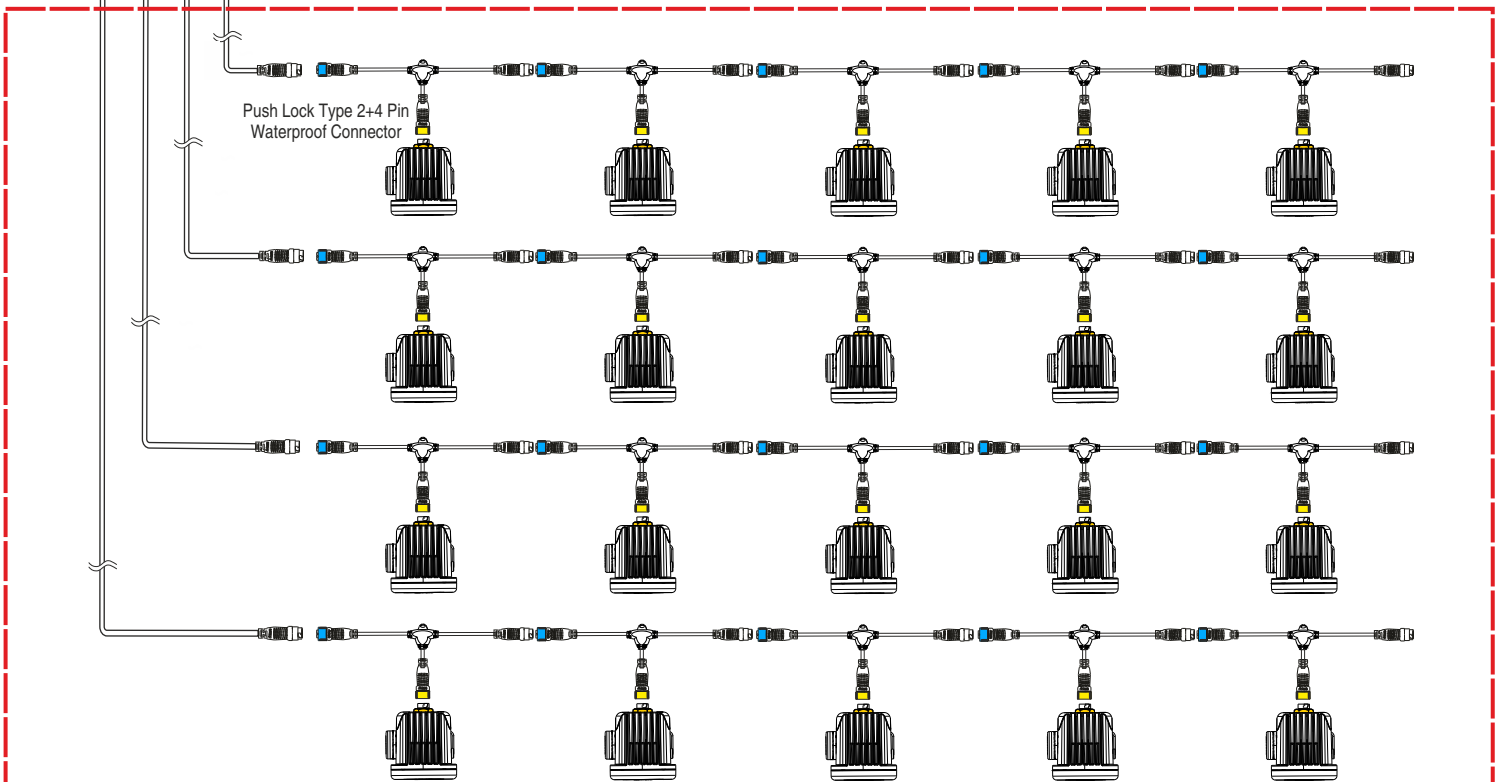
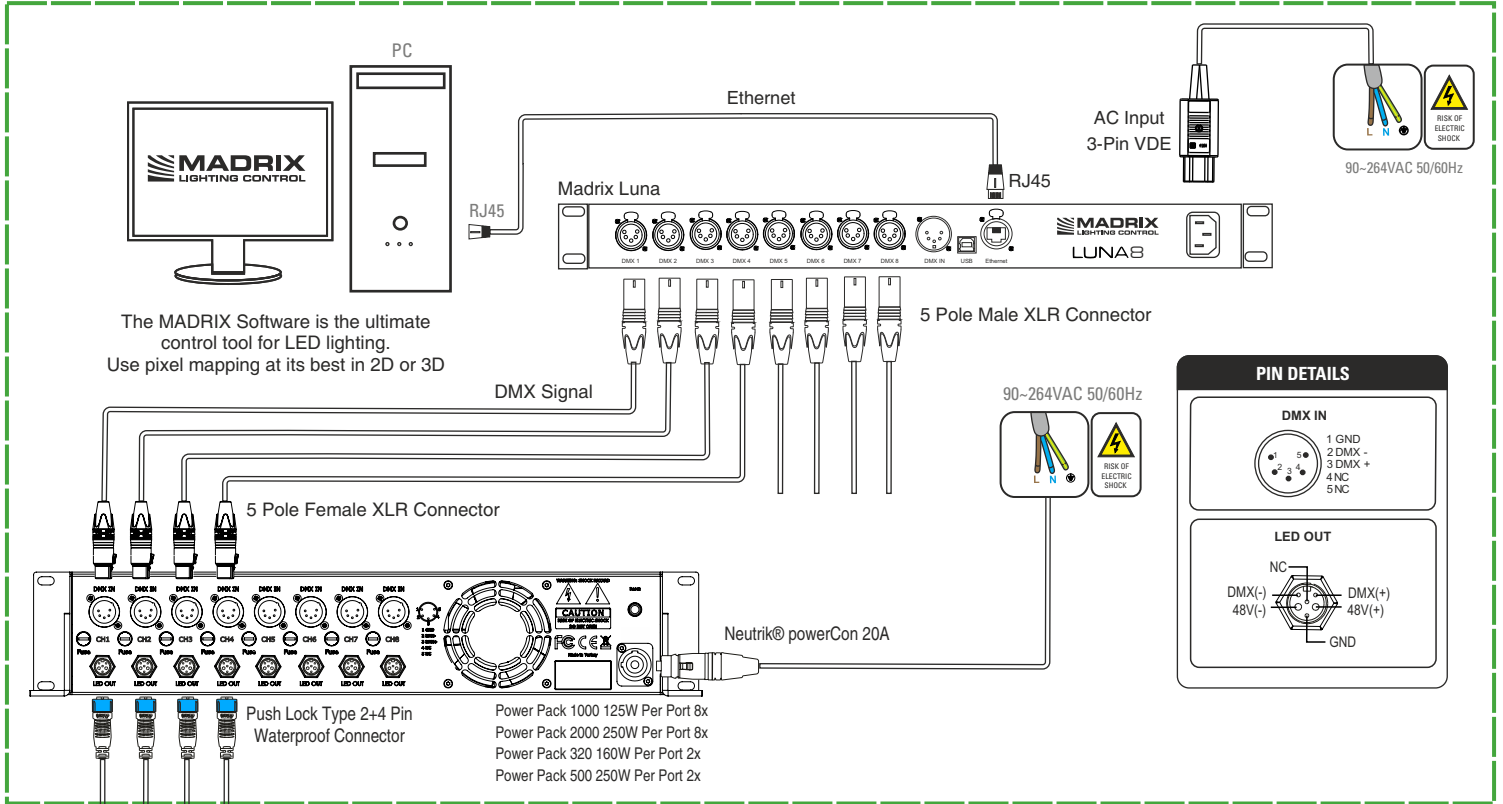
Certification

EU Safety:	EN 60598-1, EN 60598-2-5, EN 62471, EN 60529, EN 62262
EU EMC:	EN 55015, EN 61000-3-2, EN 61000-3-3, EN 61547, EN 61000-4-2, EN 61000-4-3, EN 61000-4-4, EN 61000-4-5 EN 61000-4-6, EN 61000-4-8, EN 61000-4-11
US Safety:	UL 1598
US EMC:	FCC Part 15 Class A
Warranty:	5-year Limited Warranty

"IEC/TR 62778: Risk Group 2

Possibly hazardous optical radiation emitted from this product. Do not stare at operating lamp. May be harmful to the eye."



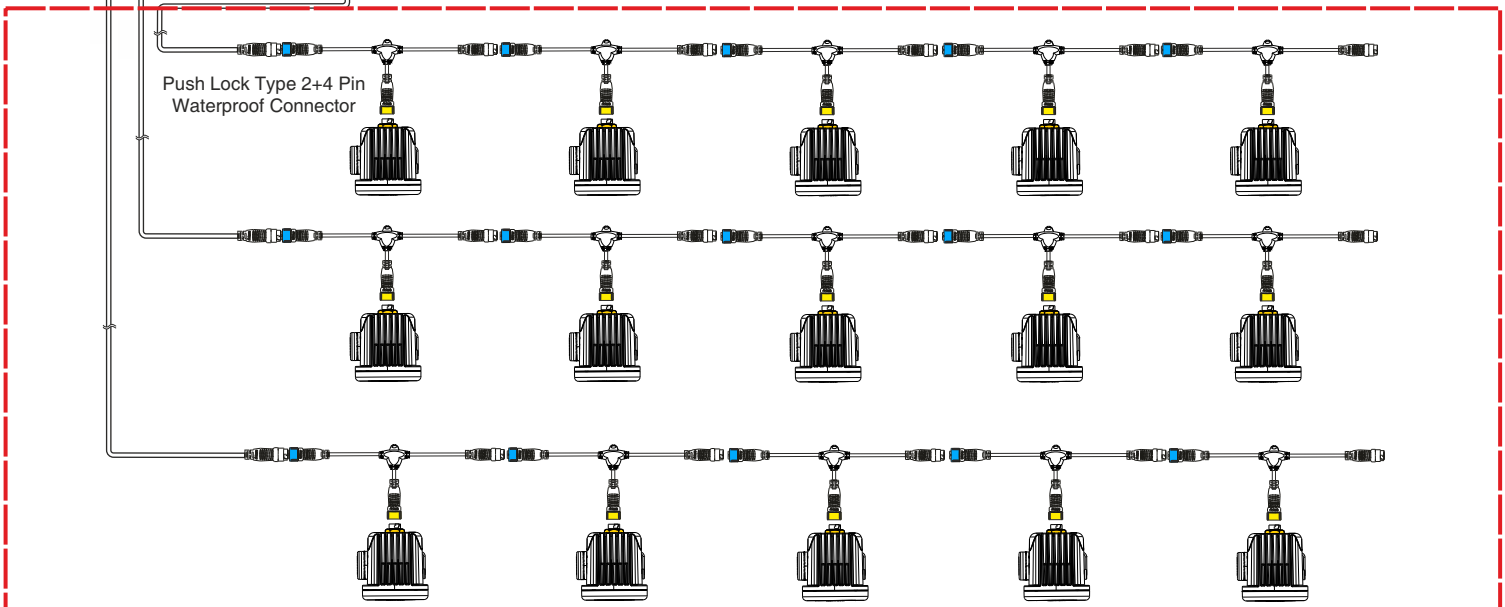
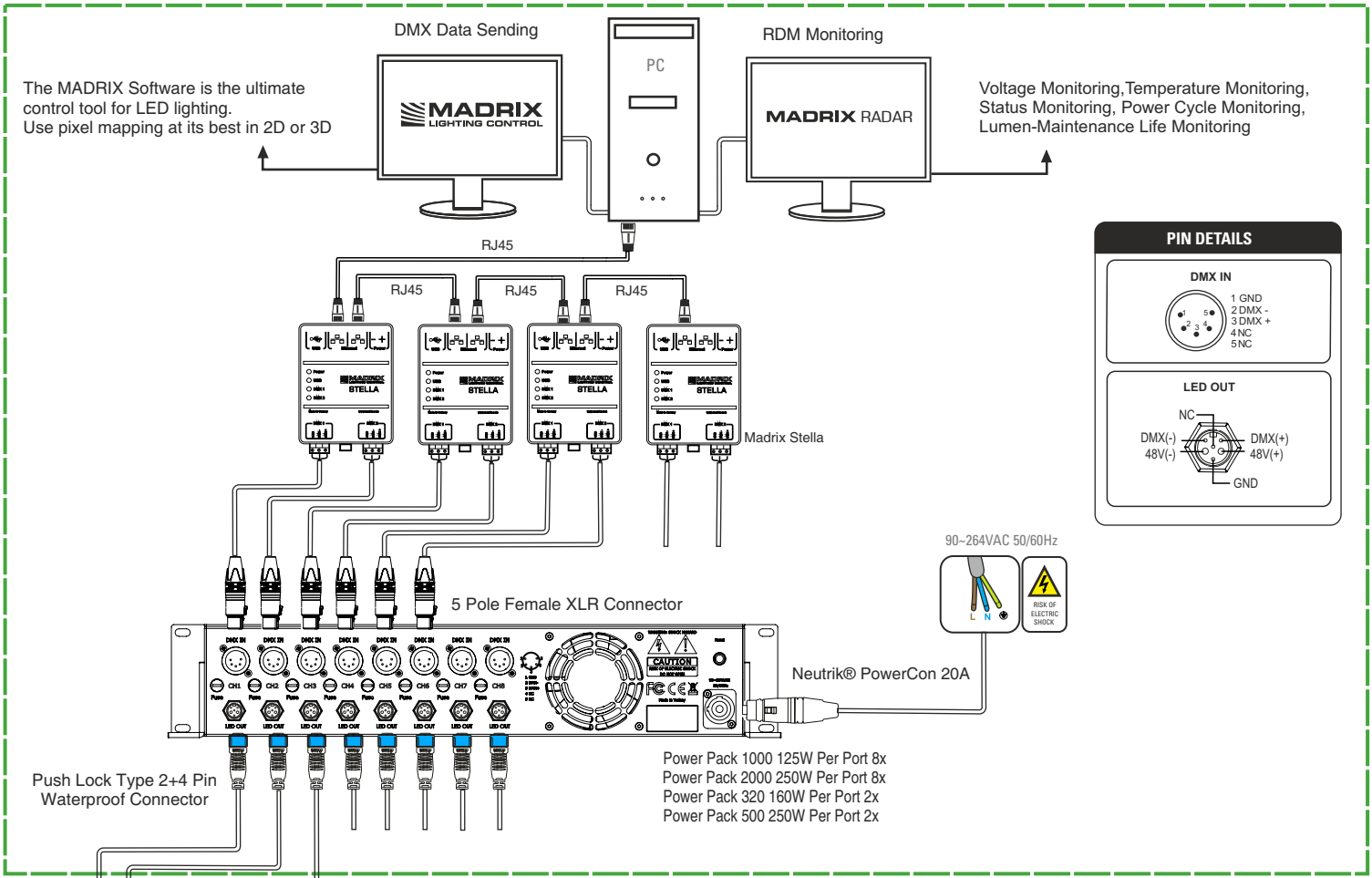


Suggestions to Reach for DMX Control

The total cable length should not be more than 3,900 ft (1200m) without buffering.
 The total fixture number should not be more than 32 pcs on a single line without buffering.
 It is recommended to use only connection cables with a characteristic impedance of 120 ohm, where the DMX + and DMX - data lines are intertwined and there is a ground link as a coaxial screen surrounding the inner cores.
 120 Ω terminating resistor should be connected between the DMX + and DMX - output connections on the last fixture.
 Do not insert a passive Y-split into the control cabling.
 Use a powered DMX splitter/buffer if it is necessary to separate the control link in order to feed fixtures in different locations.
 Make sure that the DMX + and DMX - connections do not get crossed at any point.

Notes:

- 1) Maximum total length of chain (fixtures and leader cable) is 70m.
- 2) Maximum total length of fixtures in chain is 32 pieces, varies by selected DMX personality.
- 3) Maximum total length of leader cable is 50m.



Suggestions to Reach for DMX Control

- The total cable length should not be more than 3,900 ft (1200m) without buffering.
- The total fixture number should not be more than 32 pcs on a single line without buffering.
- It is recommended to use only connection cables with a characteristic impedance of 120 ohm, where the DMX + and DMX - data lines are intertwined and there is a ground link as a coaxial screen surrounding the inner cores.
- 120 Ω terminating resistor should be connected between the DMX + and DMX - output connections on the last fixture.
- Do not insert a passive Y-split into the control cabling.
- Use a powered DMX splitter/buffer if it is necessary to separate the control link in order to feed fixtures in different locations.
- Make sure that the DMX + and DMX - connections do not get crossed at any point.

Notes:

- 1) Maximum total length of chain (fixtures and leader cable) is 70m.
- 2) Maximum total length of fixtures in chain is 32 pieces, varies by selected DMX personality.
- 3) Maximum total length of leader cable is 50m.

RDM Explanation

Procolor@DC 10RGBW-DW complies with the RDM Monitoring Command System. In order to use RDM Monitoring System, a compatible controller is required depending on the installation. Through DMX data connection, it is possible to control or change the fixture's settings, send commands and receive or monitor the fixture's data. The recommended RDM controller and the wiring diagram can be found on page 5. RDM command functions supported by Procolor@DC 10RGBW-DW are given in the list below.

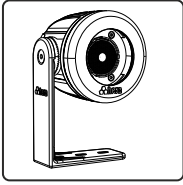
Device Management	Get	Set
Device Info	✓	
DMX Start Address	✓	✓
Identify Device	✓	✓
Device Model Description	✓	
Device Label	✓	✓
Software Version Label	✓	
DMX Personality	✓	✓
DMX Personality Description	✓	
Device Hours	✓	
Lamp Hours	✓	
Device Power Cycles	✓	
Status Message	✓	
Queued Message	✓	
Status ID Description	✓	
Supported Parameters	✓	
Parameter Description	✓	
Factory Defaults		✓
Sensor Definition	✓	
Sensor Value	✓	
Record Sensor		✓
Reset Device		✓
Power State	✓	✓
Perform Self Test		✓
Self Test Description	✓	
Language	✓	

* The command names and command functions used on different RDM controllers may vary.

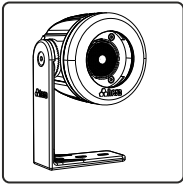
* Incompatible RDM controllers may cause drawbacks such as partial operation, no-operation, or incorrect fixture information.

* You can check the recommended RDM controllers on the www.heraled.com website.

Products

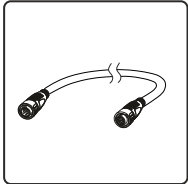


P03001101 Procolor®DC 10RGBW Floodlight Narrow Beam 10°
 P03001102 Procolor®DC 10RGBW Floodlight Medium Beam 25°
 P03001103 Procolor®DC 10RGBW Floodlight Wide Beam 35°

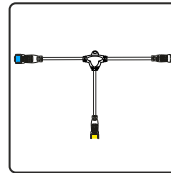


P03001121 Procolor®DC 10DW Floodlight Narrow Beam 10°
 P03001122 Procolor®DC 10DW Floodlight Medium Beam 25°
 P03001123 Procolor®DC 10DW Floodlight Wide Beam 35°

Cable

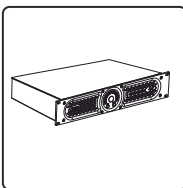


P20202-0.5 Push Lock Type 2+4 Pin 0.5 M Extension Cable
 P20202-0.75 Push Lock Type 2+4 Pin 0.75M Extension Cable
 P20202-1 Push Lock Type 2+4 Pin 1M Extension Cable
 P20202-1.5 Push Lock Type 2+4 Pin 1.5M Extension Cable
 P20202-2 Push Lock Type 2+4 Pin 2M Extension Cable
 P20202-2.5 Push Lock Type 2+4 Pin 2.5M Extension Cable
 P20202-3 Push Lock Type 2+4 Pin 3M Extension Cable
 P20202-3.5 Push Lock Type 2+4 Pin 3.5M Extension Cable
 P20202-4 Push Lock Type 2+4 Pin 4M Extension Cable
 P20202-5 Push Lock Type 2+4 Pin 5M Extension Cable
 P20202-7.5 Push Lock Type 2+4 Pin 7.5M Extension Cable
 P20202-10 Push Lock Type 2+4 Pin 10M Extension Cable
 P20202-15 Push Lock Type 2+4 Pin 15M Extension Cable
 P20202-20 Push Lock Type 2+4 Pin 20M Extension Cable



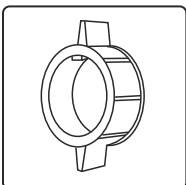
P20204 2+4 Pin T Cable 0.3M Push Lock Type
 P20205 2+4 Pin T Cable 0.6M Push Lock Type
 P20206 2+4 Pin T Cable 1.2M Push Lock Type

Power / Data Supplies



P08002 Power Pack 320 320W 2 Outputs Power Supply
 P08003 Power Pack 500 500W 2 Outputs Power Supply
 P08004 Power Pack 1000 1000W 8 Outputs Power Supply
 P08013 Power Pack 2000 2000W 8 Outputs Power Supply

Accessories



P20203 Push Lock Type 2+4 Pin Female Plug Cap



**HERA EĞLENCE VE MİMARİ AYDINLATMA
SİSTEMLERİ İÇ VE DIŞ TİCARET A.Ş.**

Güllübağlar Mah. Kahramanlar Cad. No 3/1
34906 Pendik / İSTANBUL / TÜRKİYE
T: 0216 307 79 00 (pbx) F: 0216 307 79 02

www.heraled.com info@heraled.com

