

MPX6 DYNAMIC WHITE SERIES

User's Manual & Installation Guide

Index

V.1.0

- | | | | |
|---|---|----|--|
| 1 | Cover & Index | 5 | Standart DMX Wiring Diagram |
| 2 | Safety Information / Warning / Warranty / Marking | 6 | Installation Instruction |
| 3 | Explanation / Dimension | 9 | Ordering Information
Accessories & Recommended Products |
| 4 | Product Specifications | 10 | Back Cover |

Congratulations on choosing a HERA product!

We thank you for your custom.

Please note that this product, as all the others in the rich HERA range, has been designed and made with total quality to ensure excellent performance and best meet your expectations and requirements. Carefully read this instruction manual in its entirety and keep it safe for future reference. It is essential to know the information and comply with the instructions given in this manual to ensure the fitting is installed, used and serviced correctly and safely. HERA disclaims all liability for damage to the fitting or to other property or persons deriving from installation, use and maintenance that have not been carried out in conformity with this instruction manual, which must always accompany the fitting. HERA reserves the right to modify the characteristics stated in this instruction manual at any time and without prior notice.

MPX6 DYNAMIC WHITE SERIES

Safety Information

Caution – unplug the power supply from the main power before connecting any cables as this can damage the products.

Caution – avoid looking directly into the led light source at close range for your own safety.

Any people installing this product should comply with local standards and regulations and must be qualified for the handling of electrical equipment.

- Do not attempt to install or use the product until installation instructions and safety labels are fully understood. This product is designed for indoor and outdoor usage.
- Ensure product operates within the specified temperature range.
- Do not attempt to open the product.
- Do not use the product if the power cables are damaged.
- Only use product for specified voltage.
- Always maintain connection to ensure waterproofing.
- If the product has been subjected to drastic temperature variances, for example, following transportation, do not connect the fixture until it has reached room temperature, as moisture condensation may cause electric shock and product damages.
- When installing the products and system power supplies, please ensure they will not be exposed to moisture and extreme heat (and direct sunlight for outdoor products). Besides, keep a clean operating environment for the fixtures and system power supplies.
- Please study this Installation Guide thoroughly and check the latest Technical Specification Sheets available from the our website www.heraled.com before setup.
- Any non-compliance of the Installation Guide will void the Hera warranty.

Warning



Risk of
Electric
Shock



Warning!
Refer to User
Manual.



Do Not Open
Products



Not Suitable
for Household Room
Illumination



DIRECTIVE 2012/19/EU
Waste Electrical
and Electronic Equipment

Warranty

Hera warrants the products for a period of five (5) years from date of purchase, provided that the purchased items are used under the conditions stated in this user manual.

Marking



RoHS
compliant

IP67



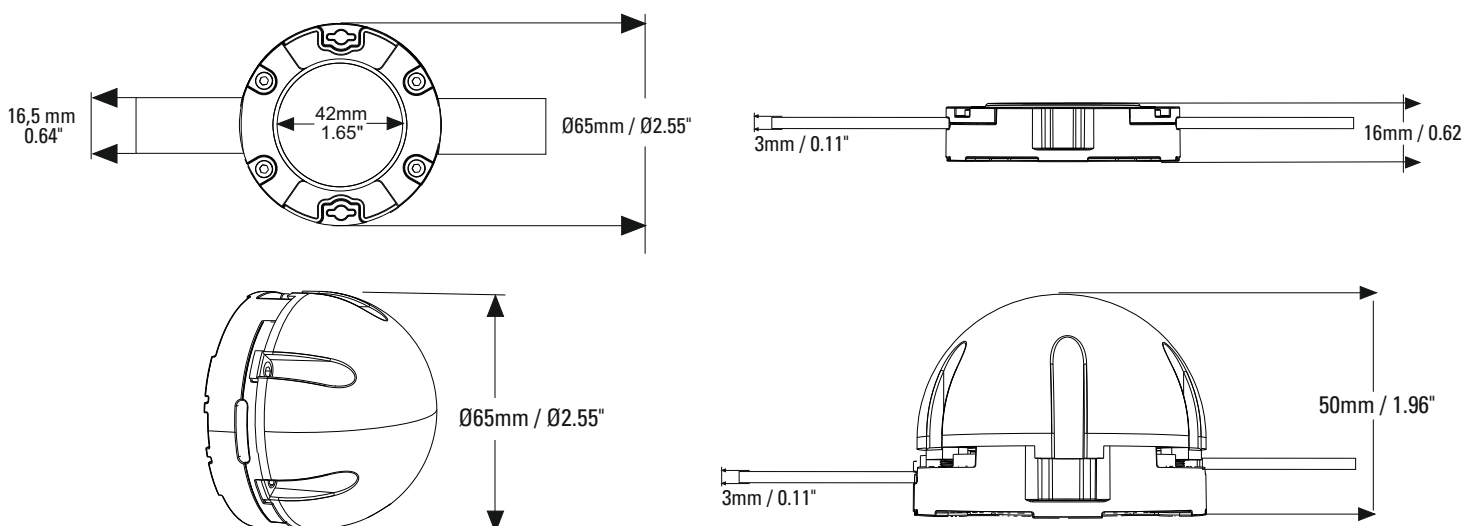
MPX6 DYNAMIC WHITE SERIES

Explanation

MPX6 DW Series are used in project such as media facades lighting, outdoor video display where high brightness, broad color temperature and standard pixel pitch distance is needed. Splendid effects can be animated with large fixtures without limitation of geometry, shape and range. It use X-PD 512 as a power supply. MPX 6DW Series produced in 100 mm, 200 mm, 300 mm, 400mm, 500mm pixel pitch in standard dimensions. However in case of customer demand, pixel pitch distance can be customized. Dome cover can be used for changing angle and appearance. Unit consists of 6 LEDs and can be seen from long distances.

- It communicates with other fixtures by standard DMX 512 and RDM protocols without requirements of any special communication protocols or production identity. It is addressed by assigning start address to X-PD512, in the sequel products address are assigned automatically. By courtesy of this feature pixel mapping and addressing are easier.
- Maximum 40 pixels can be linked in snake mode.
- This product is recommended to use with cable no longer than 30m due to its 24VDC working voltage. Starting cable (5m) is included.
- Working status of fixtures, local temperature values, voltage input and output, serial number and DMX address can be monitored via X-PD512. User is informed by mail and system can response automatically according to data.
- Fixtures work compatibly with Madrix® software and hardware. You can choose fixtures in library in order to have easy pixel mapping.
- MPX 6DW Series are produced in 100 mm, 200 mm, 300 mm, 400 mm, 500 mm pixel pitch in standard dimensions. However in case of customer demand, pixel pitch distance can be customized.
- Unit is produced in Direct View. Dome cover can be used for changing angle and appearance. Transparent and opaque covers are resistant to UV light and impact. Due to its PMMA and PC materials, it will not go yellow.
- Fixtures are designed for harsh outdoor condition and resistant against vibration, impact and thermal shock owe to their solid aluminum structures, special filling material and IP67 class protection markings.
- Power and data are transmitted by input and output connectors. IP68 screw type connectors can be installed easily. Additional junction boxes are not needed with input and output.
- There are holes 4 mm in diameter for installation right and left side of fixture. Apart from that, there are slots for steel rope 1mm in diameter.
- Fixtures are produced in RAL7016 grey color but according to customers' demand fixture can be painted to different RAL colors.

Dimension



MPX6 DYNAMIC WHITE SERIES

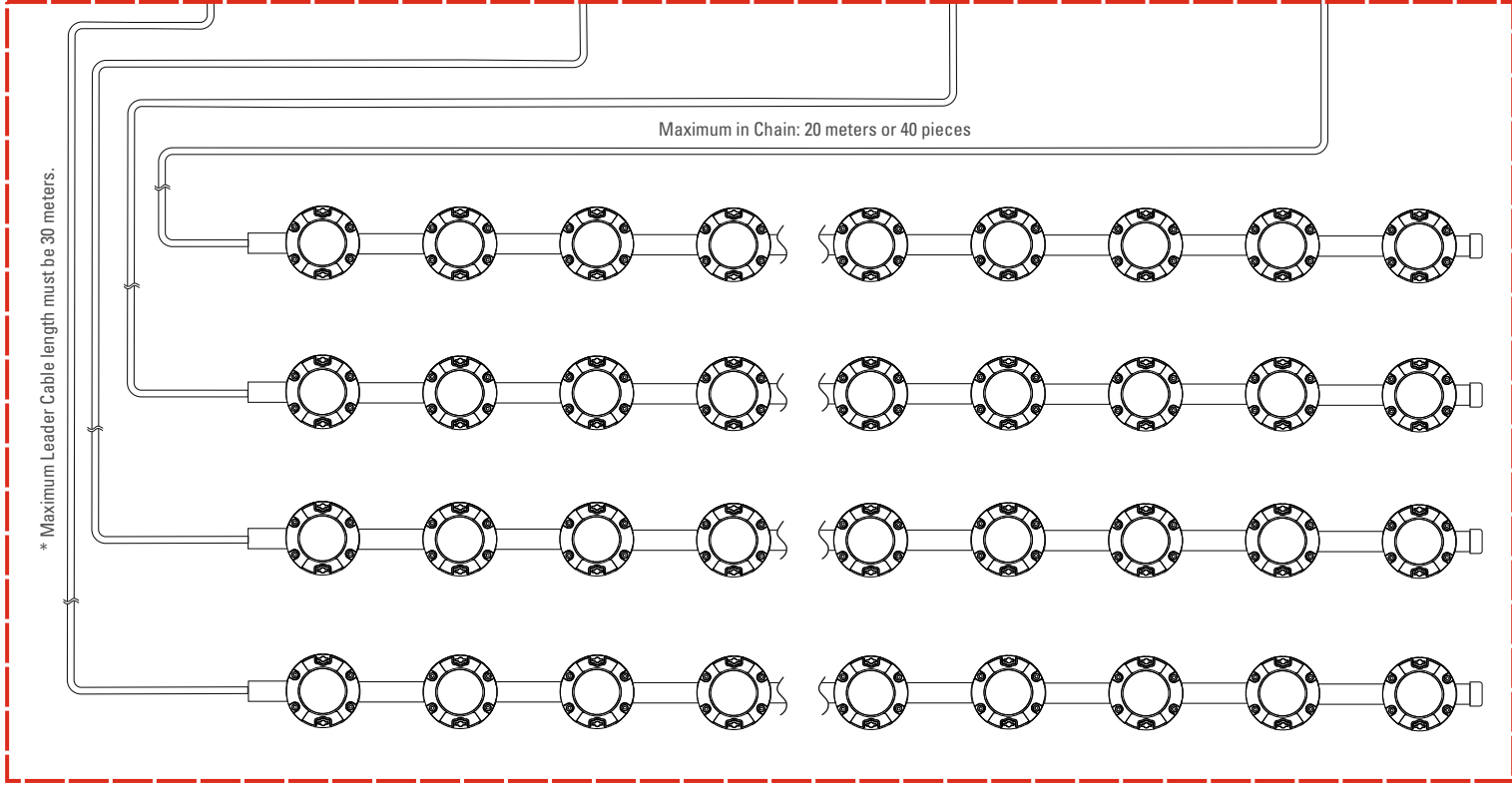
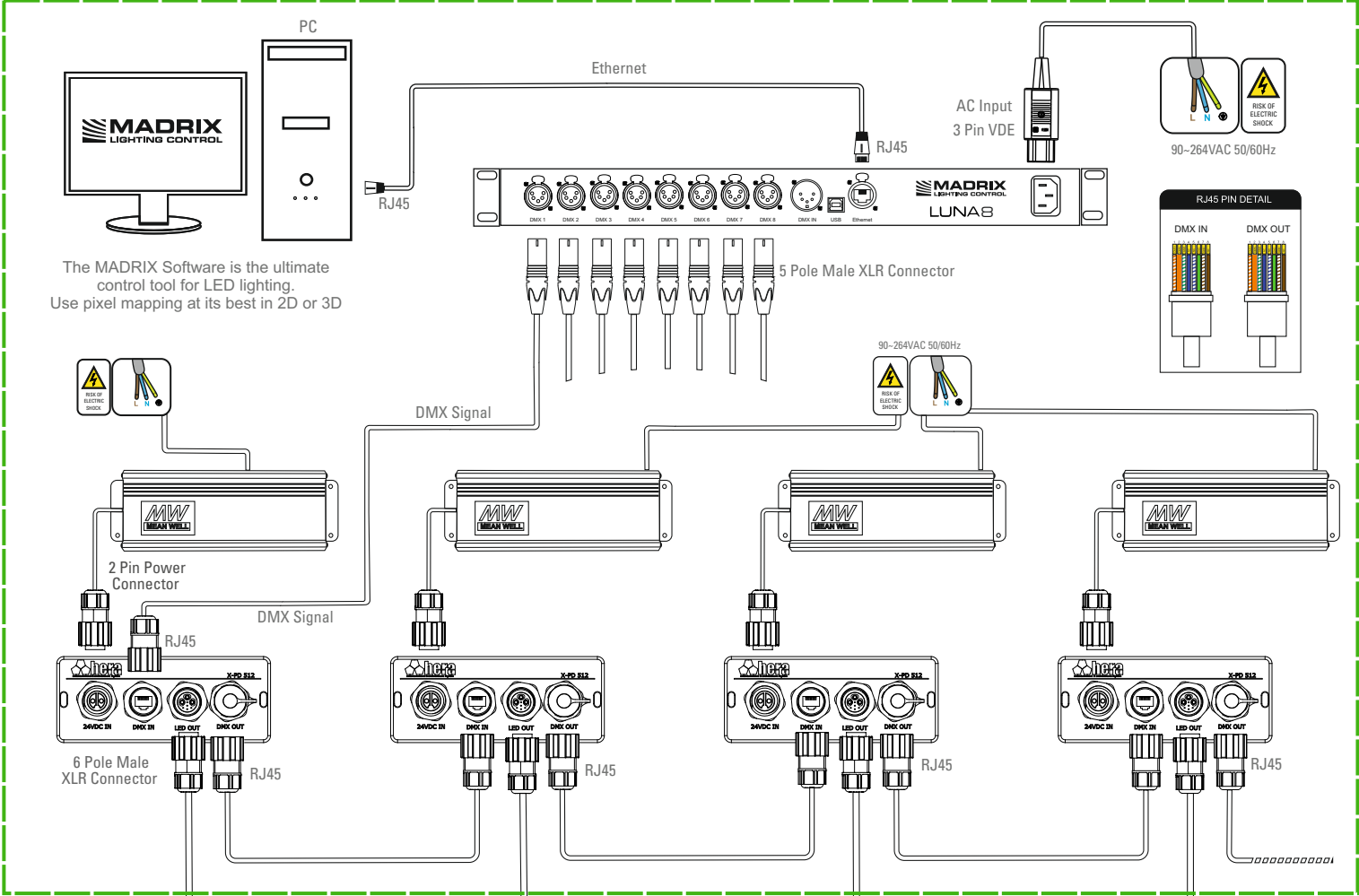
Product Specifications

Model	Direct View	Diffused View
Light Source:	18pcs High intensity 3528 LEDs	
Lumen Maintenance:	60.000+ hours L70 @ 25° C (full output)	
Color Range:	White CCT 2700-6500K	
Color Resolution:	2 x 14-bit (Gamma correction)	
PWM Frequency:	1,600Hz flicker free dimming to 0.1%	
Viewing Angle:	120°	180°
Luminous Intensity:	Please check IES and LTD Files out	
Efficacy (lm/W):	Please check IES and LTD Files out	
Pixel Pitch:	Standart 100mm-200mm-300mm-400mm-500mm, up to 1000mm for customized models	
Maximum in Chain:	Max 40pcs	
Operating Voltage:	24VDC	
Power Consumption:	1,5W (all LEDs on)	
Control Interface:	USITT DMX 512 A	
Addressing:	Auto Addressing	
Monitoring:	Voltage Monitoring, Temperature Monitoring, Status Monitoring, Power Cycle Monitoring, Lumen-Maintenance Life Monitoring with X-PD512	
Housing:	Die-Cast Aluminium Body	
Environment:	IP67, IK09	
Operating Temperature:	-40°C - 50°C (-40° - 122° F)	
Storage Temperature:	-40°C - 85°C (-40°C - 185° F)	
Dimensions (H x W x D):	Ø65x16 mm (Ø2.55x0.62 in)	Ø65x50 mm (Ø2.55x1.96 in)
Weight:	0.078 kg (0.17 lb)	0.094 kg (0.2 lb)
Certification:	EU Safety: EN 60950-22:2006 + AC: 2008, EN 60950-1:2006+A2:2013, EN 62262:2002	
	EU EMC: EN 55024:2010/A1:2015, EN 55032:2015/AC:2016-07, -EN 61000-4-3, EN 61000-4-4, EN 61000-4-6, EN 61000-4-8	
	US Safety: UL 60950-22, UL 60950-1	
	US EMC: FCC Part 15 Class A	

MPX6 DYNAMIC WHITE SERIES

Standart DMX Wiring Diagram

Indoor Zone

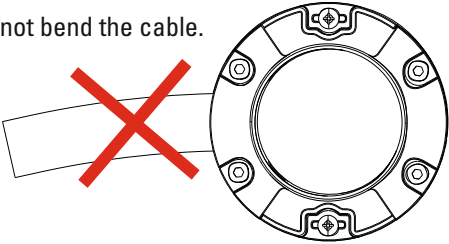


Outdoor Zone

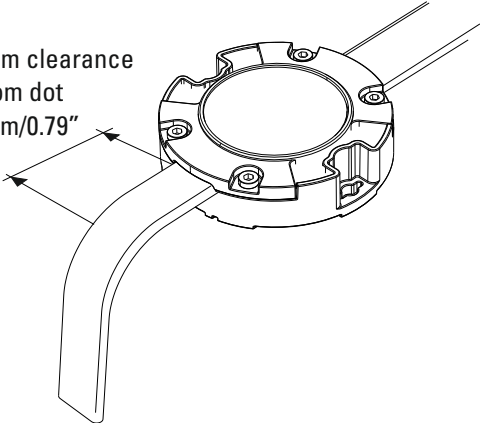
Installation Instruction

Warning!

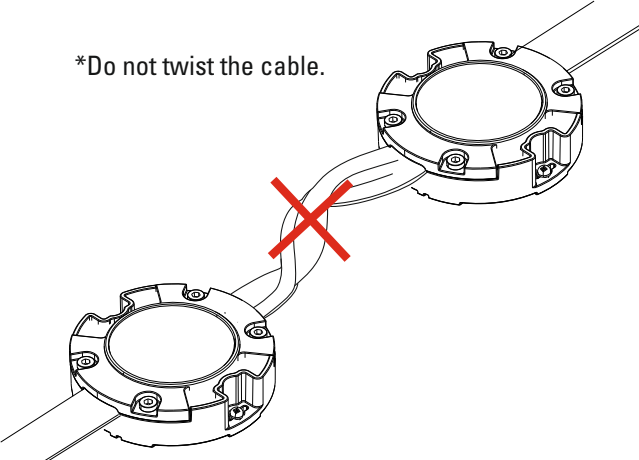
*Do not bend the cable.



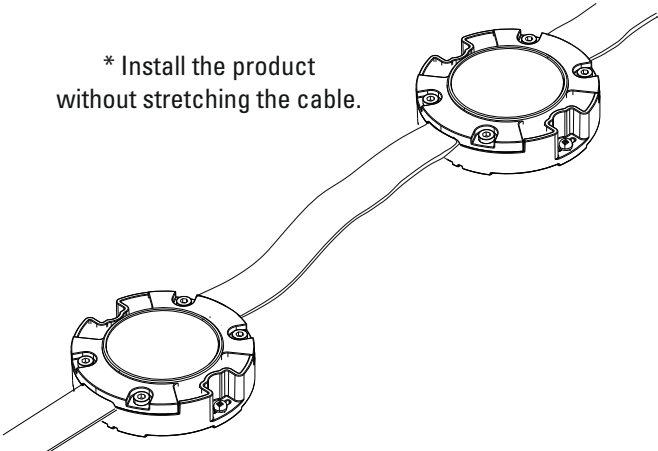
* Minimum clearance from dot 20mm/0.79"



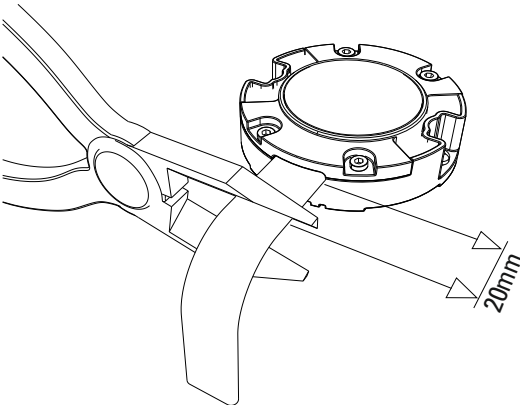
*Do not twist the cable.



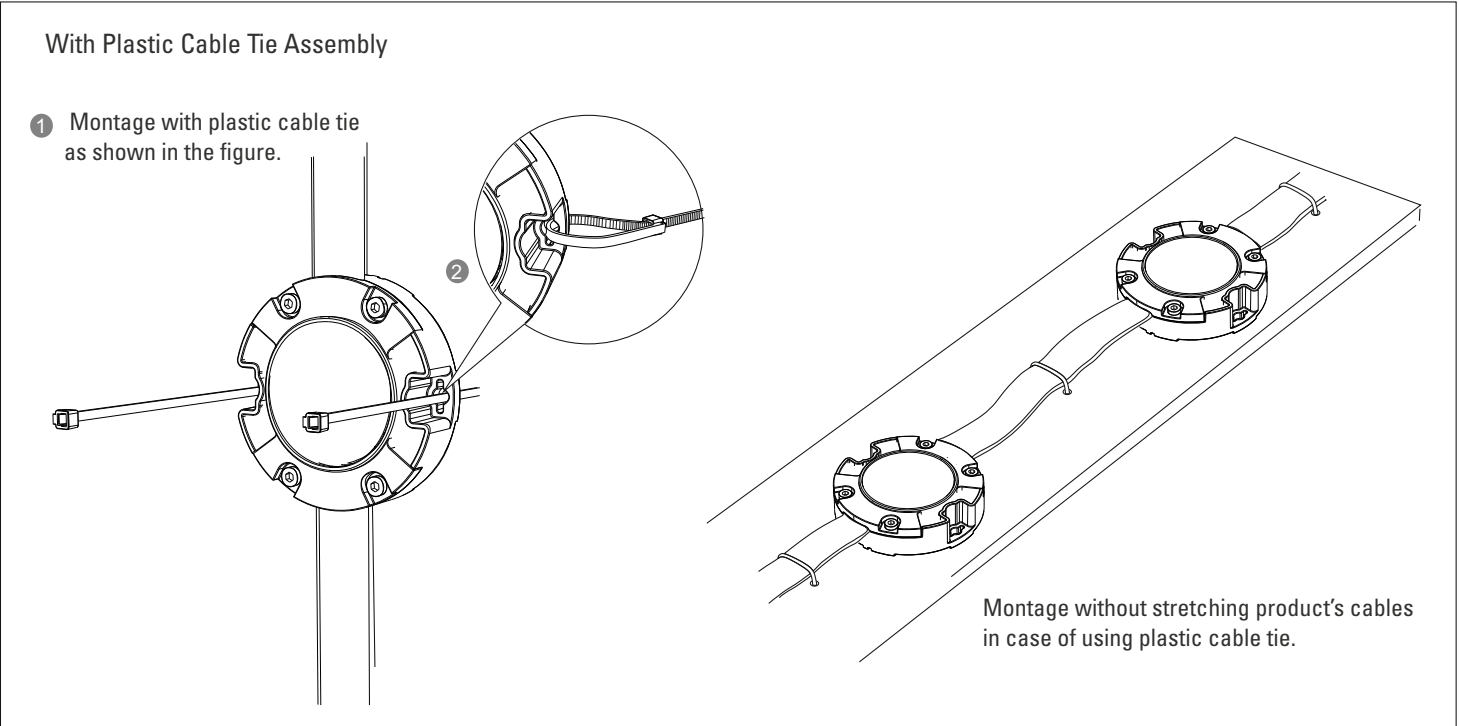
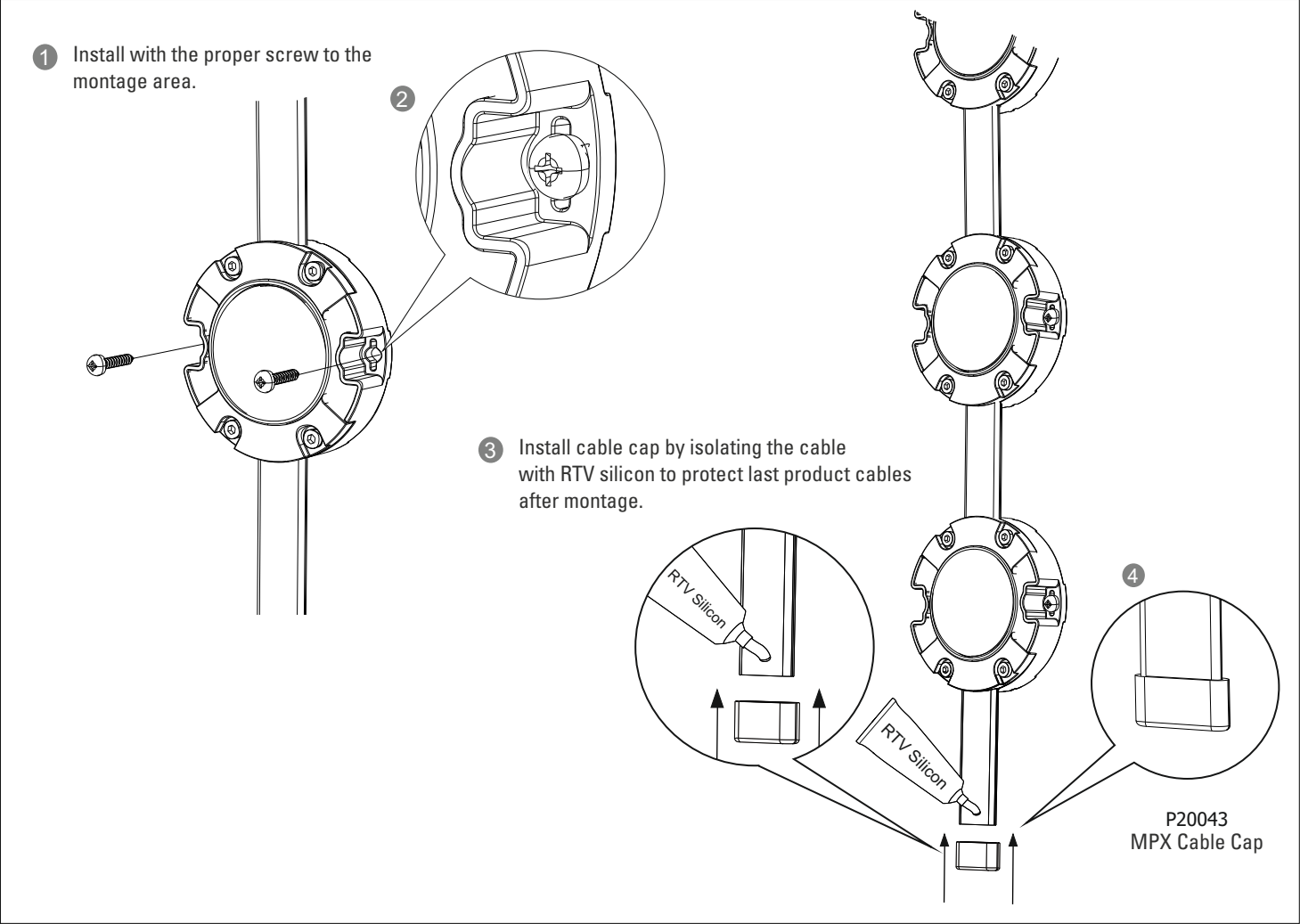
* Install the product without stretching the cable.



* Make space as 20mm cap.

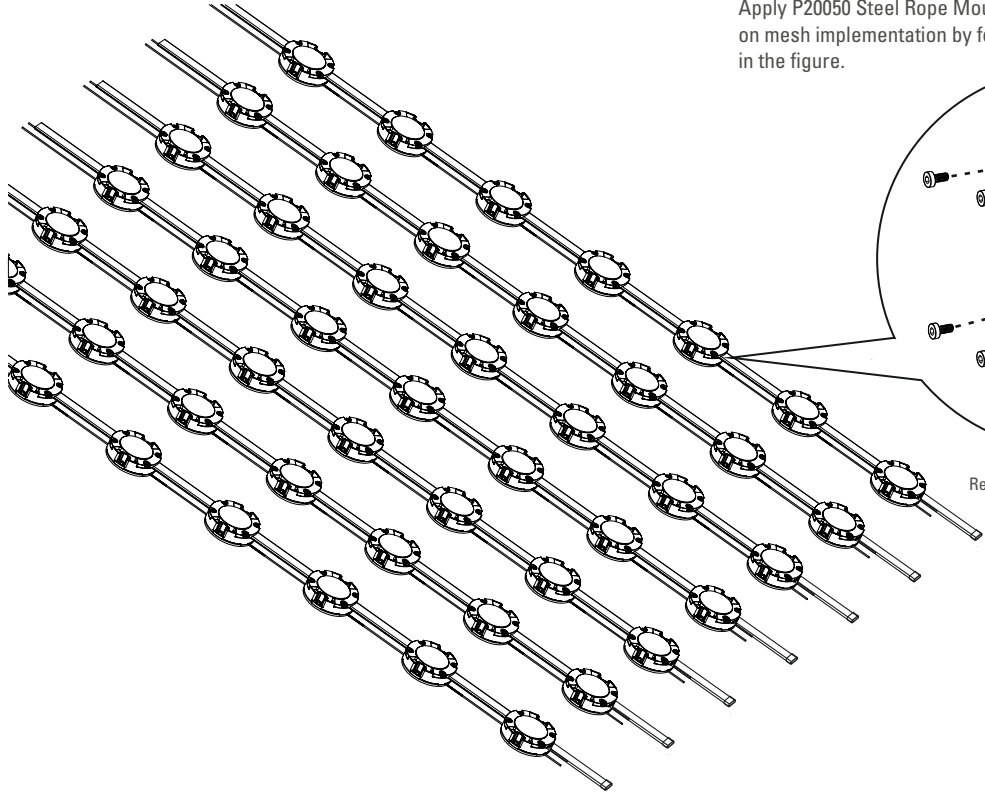


Installation Instruction

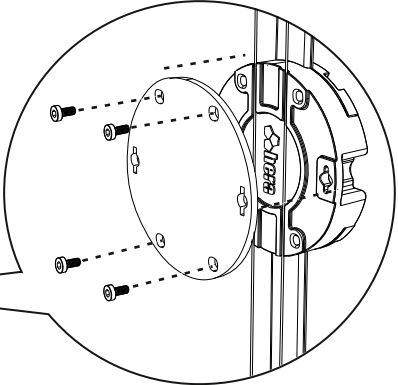


Installation Instruction

With Mesh Installation

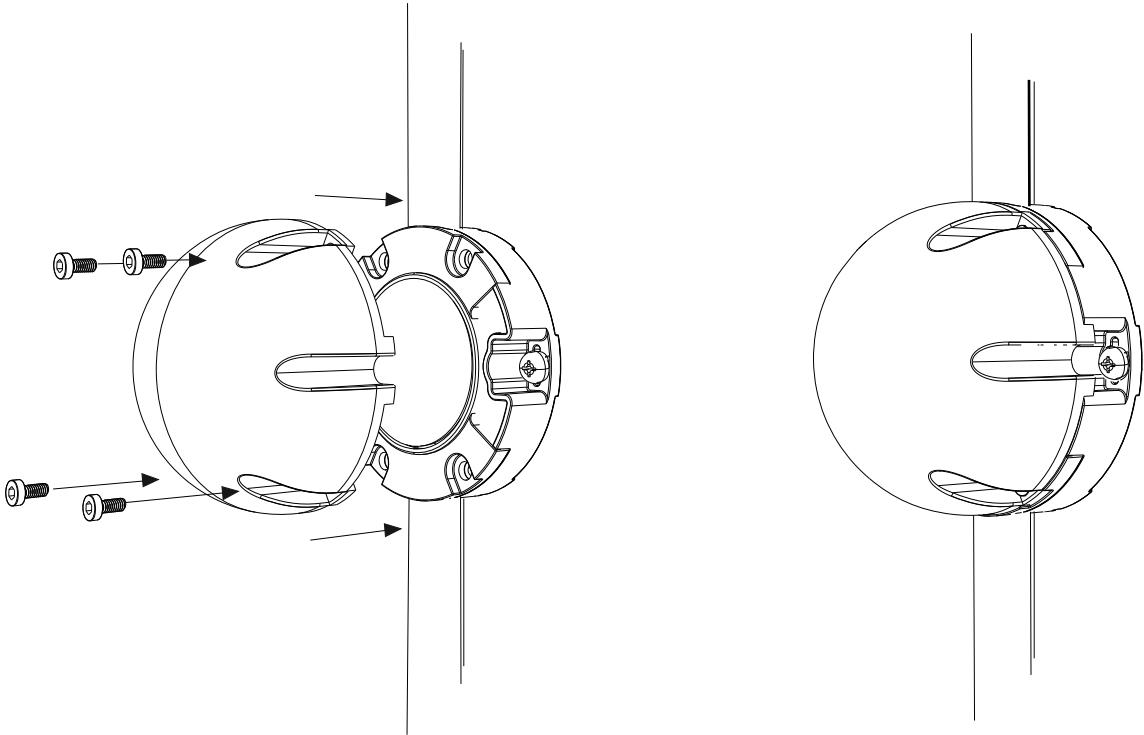


Apply P20050 Steel Rope Mounting Bracket apparatus on mesh implementation by following the steps as shown in the figure.



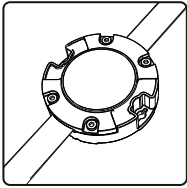
Recommended Steel Rope Thickness 1,5mm²

P20044 MPX Series For Dome Accessories Assembly



MPX6 DYNAMIC WHITE SERIES

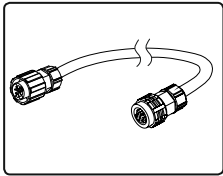
Ordering Information



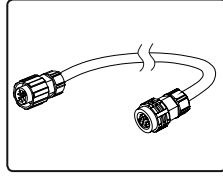
P01012125 MPX6-DW 100mm pitch 40 Pixel & 5m Leader Cable Sets
 P01013125 MPX6-DW 200mm pitch 40 Pixel & 5m Leader Cable Sets
 P01014125 MPX6-DW 300mm pitch 40 Pixel & 5m Leader Cable Sets
 P01015125 MPX6-DW 400mm pitch 40 Pixel & 5m Leader Cable Sets
 P01016125 MPX6-DW 500mm pitch 40 Pixel & 5m Leader Cable Sets

* Standart product that we provided is above. Please contact us for special orders

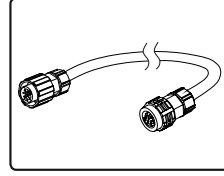
Accessories & Recommended Products



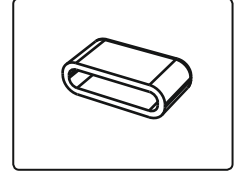
P20040
3+5 Pin Leader
Cable for MPX Series 5Meter



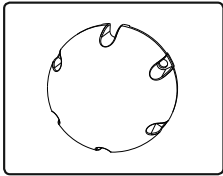
P20041
3+5 Pin Leader
Cable for MPX Series 10Meter



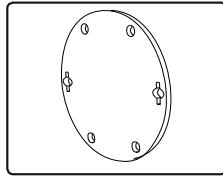
P20042
3+5 Pin Leader
Cable for MPX Series 20Meter



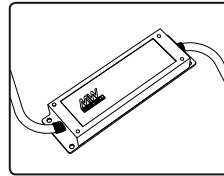
20043
MPX Cable Cap



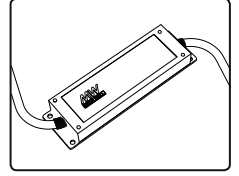
P20044
MPX Series For Dome



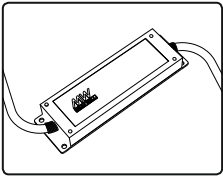
20050
Steel Rope Mounting Bracket



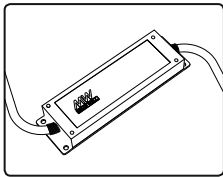
P08016
Mean Well ELG75-24A 75Watt
24V 8.4A IP67 SMPS



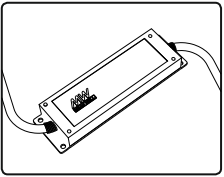
P08017
Mean Well ELG100-24A 100Watt
24V 8.4A IP67 SMPS



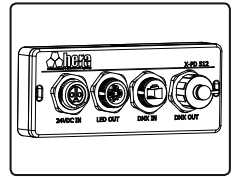
P08018
Mean Well ELG150-24A 150Watt
24V 8.4A IP67 SMPS



P08019
Mean Well ELG220-24A 200Watt
24V 8.4A IP67 SMPS



P08020
Mean Well ELG240-24A 240Watt
24V 8.4A IP67 SMPS



P08015
X-PD 512 RDM
Addressable Pixel Driver

