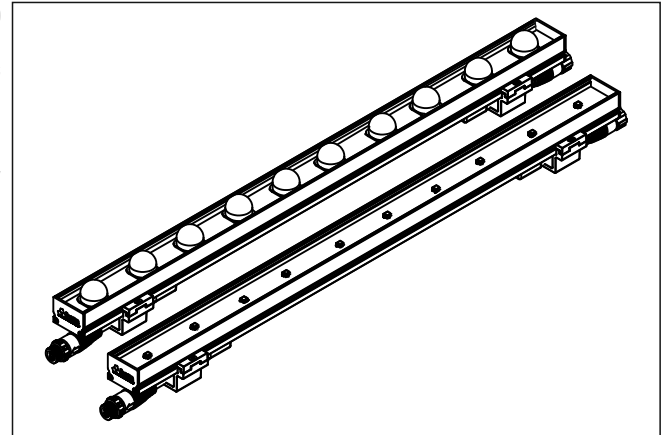


## Explanation

Sword® 50x1 Series consist of four models such as 30-50-100-150cm. 30cm 6 pixel 18 Channel, 50cm 10 Pixel 30 Channel, 100cm 20 Pixel 60 Channel, 150cm 30 Pixel 90 Channel. Pixel pitch is 50 mm. Each pixel consists of 1 led. It has direct view or opaque dome model. It is in IP67 protection class. It offers customizable solutions pixel mapping with DMX 512 protocol. It can be addressed in batch with RDM Protocol. It has been designed to be used in the facade, building and stage illumination. It operates with 48V tension and applicable without voltage loss. Product assembly apparatus is made from aluminum injection. It operates under challenging weather conditions. It has high vibration resistance. It is easily demountable. It can be connected with IP68 screwed type connectors.

- Flexible applicability with 30-50-100-150cm sizes
- Direct viewing or opaque dome option
- Addressing with Remote Device Management Protocol
- Perfect viewing without pixel gap or shade in the connection points
- Safe use in interior and external environment with IP67 protection



## Details

### Light Source:

6/10/20/30 Pcs. Nichia NSSM032A

### Lifetime:

50.000 Hours

### Input:

48VDC

4-Pin IP67 Waterproof Connector (Power + DMX)

### Current Consumption:

65/100/180/260 mA

### Power Consumption:

3,2/4,7/8,5/12,5 Watt

### Maximum in Chain:

28/17/8/5 Pcs.

### Pixel Pitch:

50mm

### Luminous Intensity:

Luminous intensity, calibrated mode: 15/25/50/75 cd

Total output, calibrated mode: 45/75/150/225 lm

Total output, calibrated mode: 498/830/1660/2490 nits

\*Preliminary data, figures are approximate.

### Control and Programming:

DMX 512

### DMX Channels:

18/30/60/90 Ch.

6/10/20/30 Pixel

### DMX Address Settings:

RDM (Group of Remote Addressable Systems)

### Housing:

Aluminium Extrusion Body

### Screw and Mounting Accessories:

Die-Cast Aluminium Installation Equipment

304L Stainless Steel

### Temperature:

Operating : -40°C - 50°C - (-40° - 122° F)

Storage : -40°C - 85°C - (-40°C - 185° F)

### Dimensions (H x W x D):

45x300x30 mm ( 1,77x12x1,1 in) 45x500x30 mm ( 1,77x19x1,1 in)

45x1000x30 mm ( 1,77x39x1,1 in) 45x1500x30 mm ( 1,77x59x1,1 in)

### Weight:

0,325kg (716 lb) / 0,530kg (1,16lb) / 1kg (2,2lb) / 1,5kg (3,3lb)

### Certification:

EU safety: EN 60950-1, EN 60950-22

EU EMC: EN 55022, EN 55024, EN 61000-3-2, EN 61000-3-3

US safety: UL 60950-1, UL 60950-22

US EMC: FCC Part 15 Class A

## Ordering Information

Sword® 50x1-RGB 30cm Direct View 18Ch. 6 Pixel	P01062085
Sword® 50x1-RGB 50cm Direct View 30Ch. 10 Pixel	P01063085
Sword® 50x1-RGB 100cm Direct View 60Ch. 20 Pixel	P01064085
Sword® 50x1-RGB 150cm Direct View 90Ch. 30 Pixel	P01065085
Sword® 50x1-RGB 30cm Dome 18Ch. 6 Pixel	P01070085
Sword® 50x1-RGB 50cm Dome 30Ch. 10 Pixel	P01071085
Sword® 50x1-RGB 100cm Dome 60Ch. 20 Pixel	P01072085
Sword® 50x1-RGB 150cm Dome 90Ch. 30 Pixel	P01073085

\*Standart product codes that we provided is above. Please contact us for special orders.

## Technical Drawing

